



Loop^{SORG} RS
German Aid Index N° 18.50.03.2001



Base price **2.820,- Euro**

Wheelchair with seat tilt function, growable without additional parts (seat width by max. 4 cm, seat depth by 2 cm and with additional parts with another 4 cm, growing back height by max. 5 cm), rigid frame with 10 cm abduction, for adolescents and adults, weight capacity max. 120 kg, seat tilting from -3° to max. +35°, back angle adjustment from 80° to 120°. Back completely stowable. Incl. standard knee lever brake, pneumatic or solid tyres.

Quotation

Order

Reference	Delivery address/company stamp	Billing address
(Please fill in with block letters)		<input type="checkbox"/> same as delivery address
Your internal sign / Pseudonymous user name	Contact person	
	Date/Signature	

Seat width 10..	Seat depth 11..	back height	Seat height	Lower leg length
+ 4 cm extension each <input type="checkbox"/> 30 <input type="checkbox"/> 32 <input type="checkbox"/> 34 <input type="checkbox"/> 36 <input type="checkbox"/> 38 <input type="checkbox"/> 40 <input type="checkbox"/> 42 <input type="checkbox"/> 44 <input type="checkbox"/> 46 <input type="checkbox"/> 48	+ 2 cm extension each (optionally with another 4 cm growing) <input type="checkbox"/> 30 <input type="checkbox"/> 32 <input type="checkbox"/> 34 <input type="checkbox"/> 36 <input type="checkbox"/> 38 <input type="checkbox"/> 40 <input type="checkbox"/> 42 <input type="checkbox"/> 44 <input type="checkbox"/> 46 <input type="checkbox"/> 48	Please select the back height when selecting the back system (on page 3)	When the seat is adjusted horizontally _____cm cf. table on page 4	1. Real lower leg length of the user (LLL): _____cm 2. Cushion thickness (CT) _____cm

Frame equipment		Frame arches for closed frame	
Child-proof lock	Additional gas pressure spring	increases frame stability	
<input type="checkbox"/> Child-proof lock for tilting mechanism. Recommended for very active children	<input type="checkbox"/> Necessary from a user weight > 75 kg or from seat width 42. Possible from frame width 36	<input type="checkbox"/> Frame arches for a closed frame. The frame arches will be coated in the frame colour. Increases the stability of the frame	
N° 1940 59,- €	N° 192501 350,- €	N° 597699 CPD 320,- €	



Colours		
Finish alternatives	Moderate metallic effect (except for black)	Special colours (without additional charge, except for Nightblue)
<input type="checkbox"/> Shiny 0,- €	<input type="checkbox"/> Zinc Yellow (02) <input type="checkbox"/> Dark Green (15) <input type="checkbox"/> Pure Orange (21) <input type="checkbox"/> Crimson (04) <input type="checkbox"/> Pastel Blue (20) <input type="checkbox"/> Dark Blue (16) <input type="checkbox"/> Brilliant Blue (08) <input type="checkbox"/> Cream White (17) not metallic: <input type="checkbox"/> Girly Pink (19) <input type="checkbox"/> Black (31) <input type="checkbox"/> Chrome Yellow (06) <input type="checkbox"/> Ultramarine Blue (37)	Strong metallic effect: <input type="checkbox"/> Silver Metallic (36) <input type="checkbox"/> Anthracite Metallic (22) Coarse structured surface: <input type="checkbox"/> Coarse Black (27)
<input type="checkbox"/> Matt (not possible with special colours!)		Dormant colours: <input type="checkbox"/> Apple Green Dormant (18) <input type="checkbox"/> Fire Red Dormant (45) <input type="checkbox"/> Violet Dormant (50) Dormant colour with additional charge: <input type="checkbox"/> Nightblue Dorm. (47) AC 59,-€
N° 1561 59,- €		
Design package color anodization (Colour examples for anodized colours can be found on our website in the area equipment)		
<input type="checkbox"/> anodized Blue (01) <input type="checkbox"/> anodized Red (02) <input type="checkbox"/> anodized Green (03) <input type="checkbox"/> anodized Gold Orange (04) <input type="checkbox"/> anodized Violet (05)	The following parts are anodized: Assembly group caster (fork, caps, adapter, half shells, wheel spacer), profile pipe support for push bow, hand rims The design package ist only possible in the listed setting.	Restrictions: The hand rims are only available in the design package anodized colours by choosing aluminum hand rims. (not possible with stainless steel, Maxgripp, PVC, double, nob or ergonomic hand rims). Profile pipe support is only available in the design package anodized by choosing push bow.
N° 1573.. CPD 270,- €		

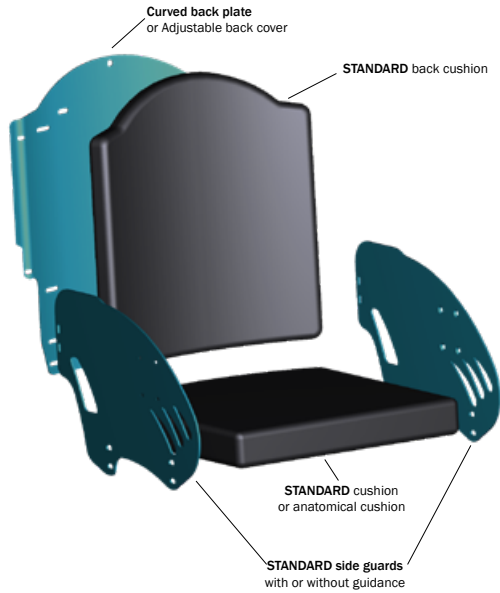
To see the latest versions of our order forms, please visit www.sorgrollstuhltechnik.de/download-portal

Abbreviations

piece - pcs
 pair - P
 net price - NP
 additional charge - AC
 lower leg length - LLL
 cf. - configuration

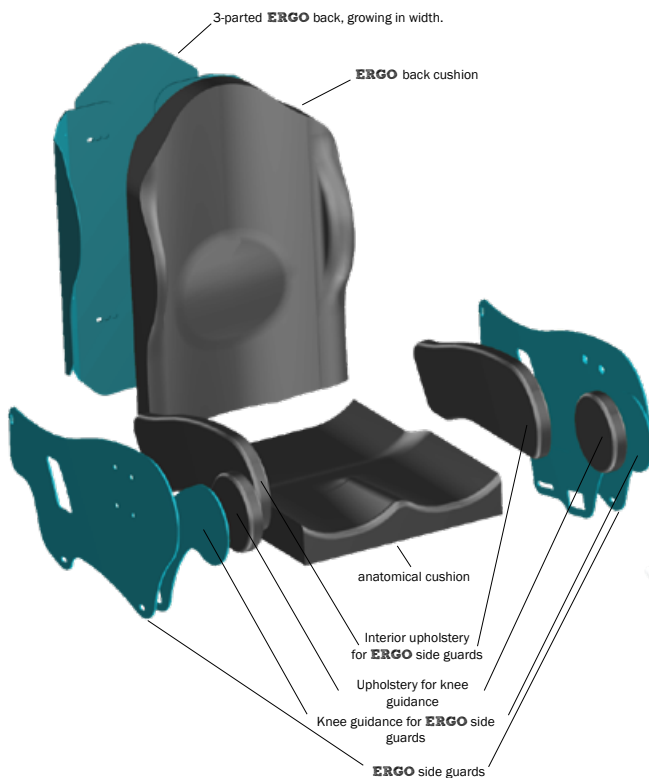
seat width - SW
 seat depth - SD
 back height - BH
 customized product discount - CPD

Example **STANDARD** back system



Example **ERGO** backsystem

„The offered ERGO system for Loop BS allows an effective positioning in the pelvis and back area. The resulting sitting stability and support enable a physiologically relaxed posture. The ERGO system combines an ergonomic back support with integrated body support and a functional, stable seat with extended side support.“



To see the latest versions of our order forms, please visit www.sorgrollstuhltechnik.de/download-portal

Two different equipment variants:

The variants can NOT be combined with each other



the **STANDARD** back system



or the **ERGO** system

Back height standard (+ 5 cm extension each)		
N° 12 .. 3: <input type="checkbox"/> 30 <input type="checkbox"/> 35 <input type="checkbox"/> 40 <input type="checkbox"/> 45 <input type="checkbox"/> 50		
Curved back plate Model 1	Curved back plate Model 3	Back extension for curved back plate
Curved back plate, BH+2 cm; cavity: <input type="checkbox"/> 15 mm (...015) <input type="checkbox"/> 30 mm (...030) <input type="checkbox"/> 50 mm (...050)	Curved back plate, BH+5 cm; cavity: <input type="checkbox"/> 15 mm (...315) <input type="checkbox"/> 30 mm (...330) <input type="checkbox"/> 50 mm (...350)	<input type="checkbox"/> Back extension up to 17.5 cm, retractable, with detachable pad for head; weight reduction in comparison to a head rest approx. 1000 g <i>Only with curved back plate, not possible with head rest (N° 6860..), not suitable as a head rest for the transport in a passenger vehicle</i>
N° 693... 299,- €		
Curved back pl. Model 2		Restrictions back extension
Curved back plate, BH+10 cm; cavity: <input type="checkbox"/> 15 mm (...115) <input type="checkbox"/> 30 mm (...130) <input type="checkbox"/> 50 mm (...150)		-Curved back plate Model 1 • from BH 35 cm -Curved back plate Model 3 • from BH 30 cm • only with version BH+5 cm
N° 693... 379,- €	N° 693... 379,- €	

Back cover	Fitting set
Adjustable Adjustable cover with strap system, incl. back cushion (thickness 2 cm) <input type="checkbox"/> black (20) <input type="checkbox"/> blue (21) <input type="checkbox"/> red (22) <input type="checkbox"/> grey (23) <input type="checkbox"/> orange (27) <input type="checkbox"/> yellow (25) <input type="checkbox"/> green (24) <i>The Betex colours yellow, green and orange will be combined with GREY nylon, the colours black, blue, red and grey with BLACK nylon.</i>	for solid back <input type="checkbox"/> one set of clamps, required for mounting a solid back that is manufactured by the specialist trade
N° 6701... 218,- €	N° 692598 130,- €

Back cushion		
WITHOUT back cushion	Standard cushion for Curved back plate	Additional cover(s)
<input type="checkbox"/> No back cushion (please tick if no cushion is required)	<input type="checkbox"/> Standard cushion for curved back plate, 3 cm thick, with zipper, breathable cover Selection Betex colour on page 5	for Standard cushion (as chosen left) <input type="checkbox"/> 1 cover (...01) <input type="checkbox"/> 2 covers (...02)
	N° 8517 135,- €	N° 85.. 80,- €/pcs

Side guards standard	
Side guards standard	Side guards with guidance
<input type="checkbox"/> screwed aluminum side guards	<input type="checkbox"/> screwed aluminum side guards with thigh guidance
N° 4527 180,- €/P	N° 4528 198,- €/P

Back height ERGO (+ 5 cm extension each)	
N° 12 .. 3: <input type="checkbox"/> 40 <input type="checkbox"/> 45 <input type="checkbox"/> 50 <input type="checkbox"/> 55 <input type="checkbox"/> 60	
ERGO back	ERGO back cushion
<input type="checkbox"/> 3-parted solid back unit for ERGO-System, growable in width. without cushion	<input type="checkbox"/> Anatomically shaped back cushion for ERGO back, with lateral support and slight lumbar support. incl. cover, choose betex color on page 5
N° 698000 440,- €	N° 891200 SR 680,- €
Cover ERGO back cushion	
<input type="checkbox"/> ADDITIONAL cover for ERGO back cushion	<input type="checkbox"/> WITHOUT cover for ERGO back cushion
N° 891201 190,- €	N° 998912 ./ 150,- €

Side guards for ERGO system	
ERGO side guards	Interior upholstery
<input type="checkbox"/> Aluminum side guards with high thigh guidance suitable for interior upholstery and mounting knee guidance	<input type="checkbox"/> for Ergo side guards with 2 cm thickness nur möglich mit Sitzformteil N° 891002 Selection Betex colour on page 5
N° 4529 240,- €/P	N° 452905 CPD 120,- €/P
Knee guidance	Upholstery f. knee guidance
<input type="checkbox"/> or ERGO side guard, screwed aluminum knee guidance	<input type="checkbox"/> Upholstery for knee guidance, Betex colour like interior upholstery ERGO side guards. only in combination with interior upholstery ERGO side guards N° 452905
N° 452909 90,- €/P	N° 452910 90,- €/P

Raw delivery	
Raw delivery	Subsequent coating
<input type="checkbox"/> of the following components (if selected): ERGO back, ERGO side guards, ERGO knee guidance holder.	<input type="checkbox"/> in chosen frame colour. Components (if selected): ERGO back, ERGO side guards, ERGO knee guidance holder.
N° 999950 0,- €	N° 999915 195,- €

To see the latest versions of our order forms, please visit www.sorgrollstuhltechnik.de/download-portal

**Abbreviations**

piece - pcs

pair - P

net price - NP

additional charge - AC

lower leg length - LLL

cf. - configuration

seat width - SW

seat depth - SD

back height - BH

customized product discount - CPD

To see the latest versions of our order forms, please visit www.sorgrollstuhltechnik.de/download-portal

Back angle adjustment		Seat system	
Back angle	Back angle	Seat plate	Seat extension
<input type="checkbox"/> Mechanically adjustable through raster from 90°-120°, completely stowable, incl. stabilizer bar Attention! Anti-tipper and push bow required (danger of tipping!)	<input type="checkbox"/> Steplessly adjustable in angle through gas pressure spring from 90°-120° and completely stowable, incl. stabilizer bar. <i>Only possible from BH 35cm.</i> Attention! Anti-tipper required (danger of tipping!). <i>Restrictions in the angle of the bracket are possible depending on the seat height, see page 4.</i>	<input checked="" type="checkbox"/> Firm aluminium seat plate for optimized support of pelvic, firmly bolted 	<input type="checkbox"/> Seat depth extension (1 - 3 cm)
N° 6124 0,- €	N° 6180 480,- €	N° 1933 0,- €	N° 193301 130,- €

Seat cushion (all covers with zippers and changeable)				
	Standard cushion	Anatomical cushion	Cushion without cover	Incontinence cover
<input type="checkbox"/> No seat cushion (please tick if no cushion is required)	Synthetic foam for firm and comfortable seating <input type="checkbox"/> 3 cm (..03) <input type="checkbox"/> 5 cm (..05)	<input type="checkbox"/> Anatomically formed, with slight abduction, changeable cover, thickness of cushion measured at slightest point: front 5 cm, back 3 cm Customized product	<input type="checkbox"/> Seat cushion as chosen, without cover	<input type="checkbox"/> For standard cushion as chosen on the left
	N° 80.. 90,- €	N° 891002 CPD 449,- €		N° 86.. 79,- €
Additional covers for cushions as chosen on the right <input type="checkbox"/> 1 cover (..01) <input type="checkbox"/> 2 covers (..02)	Pressure relief cushion for medium-soft seating <input type="checkbox"/> 3 cm (..03) <input type="checkbox"/> 5 cm (..05)	<input type="checkbox"/> Additional cover for anatomical cushion as configured Customized product		<input type="checkbox"/> For anatomical cushion as chosen on the left
N° 82.. 75,- €/pcs	N° 81.. 125,- €	N° 891003 CPD 169,- €	N° 998001 ./, 30,- €	N° 891004 139,- €

Betex cover colour
Please choose your colour of the chosen betex covers (back / seat / ERGO side guard / ERGO knee guidance): <input type="checkbox"/> black (20) <input type="checkbox"/> blue (21) <input type="checkbox"/> red (22) <input type="checkbox"/> grey (23) <input type="checkbox"/> green (24) <input type="checkbox"/> yellow (25) <input type="checkbox"/> orange (27)
N° 8517.. (at back cushion for curved back) / N° 8911.. (at anatomical back system ERGO) / N° 80.. (Seat cushion)

Side guards		
Arm rest	Wheel cover short	Wheel cover large
<input type="checkbox"/> 24 cm long, adjustable in angle 	<input type="checkbox"/> Synthetic wheel cover, black, size short 	<input type="checkbox"/> Synthetic wheel cover, black, size large
N° 453200 230,- €/P	N° 5211 0,- €/P	N° 5210 196,- €/P

Push bow	
Extendable push bow	
<input type="checkbox"/> Extendable push bow, extendable by 20 cm, adjustable in angle 307° made of metal	
N° 653101 0,- €/P	

Abbreviations


piece - pcs
 pair - P
 net price - NP
 additional charge - AC
 lower leg length - LLL
 cf. - configuration
 seat width - SW
 seat depth - SD
 back height - BH
 customized product discount - CPD


Brakes	
Knee lever brake	Single-hand brake
<p>Standard lockable Pull to Lock</p>	

Brake lever extensions		
Cover	Ball knob	Golf ball knob

To see the latest versions of our order forms, please visit www.sorgrollstuhltechnik.de/download-portal

Brakes		
Knee lever brake <input type="checkbox"/> Standard N° 3525 0,- € <input type="checkbox"/> lockable in activated or deactivated position A latch is used to lock the brake standing still or while driving.	Drum brake <input type="checkbox"/> for standard-, profile or lightweight wheels (N° 21..30/31/81), incl. brake lever for attendant	Brake lever extension straight, 6 cm long <input type="checkbox"/> with cover
N° 3513 132,- €/P	N° 220036 310,- €	N° 3510 50,- €/P
<input type="checkbox"/> Pull to lock In contrast to the standard knee lever brake, the pull to lock knee lever brake is operated by pulling.	Single-hand brake Knee lever brake with single hand control Mounting <input type="checkbox"/> left (..01) <input type="checkbox"/> right (..02)	straight, 6 cm long <input type="checkbox"/> with ball knob <input type="checkbox"/> with golf ball knob
N° 3529 58,- €/P	N° 3509.. 298,- €	N° 3512 58,- €/P

Leg support foot plate depth 150 mm and 230 mm			
Standard undivided foot plate, foldable backwards, rigid knee angle at 90° Possible distance top edge seat to top edge footplate: 13-49 cm Foot plate depth: <input type="checkbox"/> 150 mm (..01) <input type="checkbox"/> 230 mm (..02) + 40,- € AC	Adjustable in angle undivided foot plate, foldable backwards, knee angle adjustable from 80-180° Possible distance top edge seat to top edge footplate: 12-50 cm Foot plate depth: <input type="checkbox"/> 150 mm (..03) <input type="checkbox"/> 230 mm (..04) + 40,- € AC	Adjustable in angle divided foot plates, foldable backwards, knee angle adjustable from 80-180° Possible distance top edge seat to top edge footplate: 12-50 cm Foot plate depth: <input type="checkbox"/> 150 mm (..30) <input type="checkbox"/> 230 mm (..31) + 40,- € AC	Multidirectional <input type="checkbox"/> divided foot plates, foldable sideways. Multidirectional, separate and stepless adjustment of knee angle, abduction and leg length. Foot plate depth 150 mm. Possible distance top edge seat to top edge footplate: 12-50 cm  from seat width 42 cm, from seat depth 40 cm
N° 4055.. 0,- €	N° 4055.. 70,- €	N° 4055.. 90,- €	N° 405506 280,- €

Leg support swiveling outwards and removable, foot plate depth 150 mm (from seat depth 40 cm)			Leg Support Genex
One piece <input type="checkbox"/> with undivided foot plate, foldable sideways, leg support completely removable, swiveling outwards and adjustable in width. Possible distance top edge seat to top edge footplate: 26-45 cm	Divided <input type="checkbox"/> with divided foot plates, foldable sideways, leg support completely removable, swiveling outwards and adjustable in width. Possible distance top edge seat to top edge footplate: 26-45 cm	Articulating <input type="checkbox"/> with divided foot plates, Swivelling and detachable with physiological pivotal point, hinged upwards from 93° to 180°, swiveling outwards and adjustable in width. Possible distance top edge seat plate to top edge footplate: 17-42 cm	Dynamic Leg support <input type="checkbox"/> Special spring mechanism to soothe spasticity or leg tone in all dimensions, foot plate hinged upwards. Knee angle resilient forward and backward. Possible distance top edge seat to top edge footplate: 23-41 cm. Please note: rotation axis is located in front of the seat edge.  Not in combination with N° 4009 / N° 405509
N° 405507 120,- €	N° 405540 170,- €	N° 405505 200,- €	N° 4053 CPD 599,- €

Abbreviations

piece - pcs
 pair - P
 net price - NP
 additional charge - AC
 lower leg length - LLL
 cf. - configuration

seat width - SW
 seat depth - SD
 back height - BH
 customized product discount - CPD

Wheels		
Standard wheel	Profile wheel	Lightweight wheel

Double handrim	Distance tight (only 9 mm)	Distance normal (Standard)

Tyres			
Schwalbe Right Run	Pneumatic tyres	Solid tyres	Schwalbe Marathon Plus

To see the latest versions of our order forms, please visit www.sorgrollstuhltechnik.de/download-portal

Leg support options			
Locking at 90°	Heel cups	Calf rest (with holder)	
<input type="checkbox"/> for all leg supports with foldable foot plate/s	Alu black, for self-assembly <input type="checkbox"/> Size 1 (..01) 7 x 11.5 cm <input type="checkbox"/> Size 2 (..02) 9 x 12.5 cm <input type="checkbox"/> Size 3 (..03) 10 x 15.5 cm	for the angle-adjustable leg support N° 405503/04 Mounting: <input type="checkbox"/> right <input type="checkbox"/> left <input type="checkbox"/> pair (2 pcs.) It is recommended to choose the footplate depth 230 mm.	for the leg supports N° 405505/6 Mounting: <input type="checkbox"/> right <input type="checkbox"/> left <input type="checkbox"/> pair (2 pcs.) Possible distance top edge seat to top edge footplate: from 20cm
N° 4009 60,- €			
Heel edge			
<input type="checkbox"/> for all leg supports with foldable foot plate/s			
N° 405509 60,- €	N° 4020.. 54,- €/P	N° 403005 135,- €/pcs.	N° 403006 135,- €/pcs.

Wheel size and wheel camber	
Wheel size	Camber
Size in inches: <input type="checkbox"/> 20" <input type="checkbox"/> 22" <input type="checkbox"/> 24" cf. table on p. 14	Camber <input type="checkbox"/> 2° (Standard) 0,- € Adapter for camber 0° <input type="checkbox"/> 0°
0,- €	N° 201515 AC 65,- €

Wheels				
Standard wheel	Profile wheel	Lightweight wheel with standard hub	Lightweight wheel with drum brake hub	Double handrim
<input type="checkbox"/> All-round wheel Additional weight of approx. 900g/wheel compared to lightweight wheels	<input type="checkbox"/> Unity of handrim and rim, reduces the risk of finger injuries Additional weight of approx. 800g/wheel compared to lightweight wheels	<input type="checkbox"/> with standard hub Very lightweight, incl. aluminium handrim Weight reduction of approx. 900g/pair compared to standard wheels THE STANDARD HUB IS INCOMPATIBLE WITH THE DRUM BRAKE (N° 220036)!	<input type="checkbox"/> with drum brake hub , incl. black aluminium handrims Only in combination with drum brake (N° 220036) (Additional charge 310,- €) Weight reduction up to 1.2 kg/pair compared to standard drum brake wheels Package price for lightweight wheels incl. drum brakes and brake lever for attendant 410,- €/pair	with standard hub and double handrim Mounting <input type="checkbox"/> left <input type="checkbox"/> right N° 2614 999,- € with drum brake hub and double handrim Mounting <input type="checkbox"/> left <input type="checkbox"/> right N° 2615 1.110,- € <input type="checkbox"/> Handrim for the opposite side N° 261435 139,- € Distance of double handrim <input type="checkbox"/> standard 18mm (..11) <input type="checkbox"/> tight 9mm (..12)
N° 21..30 0,- €	N° 21..31 0,- €	N° 21..76 150,- €/P	N° 21..81 100,- €/P	N° 26.. 0,- €

Tyres		
Standard	Standard	Performance
Pneumatic: <input type="checkbox"/> Schwalbe <i>Right Run</i> 1" (grey/black) (..13) <input type="checkbox"/> Standard tyres 1 3/8" (grey) (..21)	Solid tyres: <i>Not for lightweight wheels!</i> <input type="checkbox"/> Standard tyres 1" (grey) (..11) <input type="checkbox"/> Standard tyres 1 3/8" (grey) (..21)	Pneumatic: <input type="checkbox"/> Schwalbe <i>Marathon Plus</i> , black, pneumatic flat free tyres, 1" Only for 22" und 24" wheels
N° 20.. 0,- €	N° 23.. 0,- €	N° 20..12 65,- €/P

Abbreviations

piece - pcs
 pair - P
 net price - NP
 additional charge - AC
 lower leg length - LLL
 cf. - configuration

seat width - SW
 seat depth - SD
 back height - BH
 customized product discount - CPD

Mounting of handrims Please indicate the desired kind of mounting!

Standard tight	Standard wide	High tight	High wide

Handrim options

Silicone cover	Ergo rubber inlay	Maxgrepp handrim	Ergonomic handrim

Caster wheels

Standard PU	Standard solid rubber	Standard pneumatic	Design PU	Design solid rubber

To see the latest versions of our order forms, please visit www.sorgrollstuhltechnik.de/download-portal

Handrims			
Mounting at standard wheel	Mounting at lightweight wheel	Ergonomic handrim	Design handrims
<input type="checkbox"/> Standard / tight <input type="checkbox"/> Standard / wide <input type="checkbox"/> High / tight <input type="checkbox"/> High / wide Material: <input type="checkbox"/> Stainless steel (...01) <input type="checkbox"/> Alu, silver anodized(..75)	<input type="checkbox"/> Standard / tight <input type="checkbox"/> Standard / wide <input type="checkbox"/> High / tight <input type="checkbox"/> High / wide Material: Alu, silver anodized. Selection standard, high or 26" not possible with lightweight wheel drum brake	<input type="checkbox"/> handrim with ergonomic handrim profile, black anodized with built-in rubber grip only for 24" wheels	<input type="checkbox"/> Aluminium handrims coated in frame colour
N° 30.. 0,- €	N° 30..75 0,- €	N° 342424 398,- €/P	N° 303000 NP 39,- €/P

Handrim options			
Silicone	PVC	Ergo rubber inlay	Maxgrepp handrim
Detachable silicone cover, black (soft surface) <input type="checkbox"/> for standard wheel (22-24) <input type="checkbox"/> for profile wheel (...02) <input type="checkbox"/> for lightweight wheel (...05)	<input type="checkbox"/> Handrim coated with black PVC, (Tetra Grip) Not for profile wheels	<input type="checkbox"/> Rubber inlay, 13 mm wide, Only for profile wheels 	<input type="checkbox"/> Allows pushing with the heel of hands (soft surface), only for standard and lightweight wheels
N° 32.. 148,- €/P	N° 33.. 338,- €/P		
for double handrim	for double handrim		
Detachable black silicone cover <input type="checkbox"/> for inner handrim <input type="checkbox"/> for outer handrim <input type="checkbox"/> for opposite handrim	<input type="checkbox"/> For double handrim, inner and outer handrim coated with black PVC N° 262402 340,- € <input type="checkbox"/> PVC cover black for opposite handrim		
N° 3205 74,- €/pcs	N° 262401 190,- €	N° 32..01 198,- €/P	N° 34.. 420,- €/P

Spoke cover	Design Decors (Net prices are not discountable)			
Transparent	Please specify the desired model of the corresponding manufacturer:			
<input type="checkbox"/> transparent (...00)	<input type="checkbox"/> www.blueprince.de	<input type="checkbox"/> www.speichen-schutz.de	<input type="checkbox"/> www.wheelchairgadgets.com	<input type="checkbox"/> Optional: child´s name on spoke cover: Only for Design Decor <input type="checkbox"/> Foil for curved back plate with the corresponding design as chosen below Only with curved back plate
N° 25.. 158,- €/P	N° 25..25 NP 198,- €	N° 25..26 NP 144,- €	N° 25..27 NP 144,- €	N° 2527 NP 98,- €

Caster wheels				
Standard PU	Standard solid rubber	Standard pneumatic	Design PU	Design solid rubber
Polyurethane: <input type="checkbox"/> 5" (2805) <input type="checkbox"/> 6" (2803)	Solid rubber: <input type="checkbox"/> 5" (2809) <input type="checkbox"/> 5.5" (2802) <input type="checkbox"/> 6" (2811) <input type="checkbox"/> 7" (2813)	Pneumatic, grey: <input type="checkbox"/> 6" (2808) <input type="checkbox"/> 7" (2807)	Polyurethane, transparent, with LEDs: <input type="checkbox"/> 5" (2834)	Solid rubber, black, with alu rim <input type="checkbox"/> 5" (2836) <input type="checkbox"/> 6" (2838)
0,- €	0,- €	0,- €	0,- €	0,- €

Abbreviations

piece - pcs
 pair - P
 net price - NP
 additional charge - AC
 lower leg length - LLL
 cf. - configuration

seat width - SW
 seat depth - SD
 back height - BH
 customized product discount - CPD

Caster forks

Standard aluminium	Design aluminium	Quick-release axle	Additional set

Frame options

Anti-tipper	Outdoor Front End

Head rests Measures in mm

Model 1	Model 3	Model 5
Model 2	Model 4	Model 6
shell-shaped	curved	x-shaped


Belt systems


2-point pelvic belt	4-point pelvic belt	Chest-shoulder belt	Protection cap
with plastic fastener 	with metal fastener 		only for metal fastener

 To see the latest versions of our order forms, please visit www.sorgrollstuhltechnik.de/download-portal

Caster forks			
Standard aluminium	Design aluminium	Quick release axle	Additional set
<input type="checkbox"/> Alu fork, black anodized	<input type="checkbox"/> Alu fork coated in frame colour	<input type="checkbox"/> Alu caster fork with quick-release axle Not possible with N° 599520, N° 2851, N° 2850	<input type="checkbox"/> Additional set of changeable caster wheels (incl. caster and fork); Caster size: _____ Only with N° 2721, not possible with N° 599520, N° 2851, N° 2850
0,- €	N° 2829 NP 29,- €/P	N° 2721 176,- €/P	N° 2830 240,- €/P

Caster wheels options		Hemi-Adapter
Track fixation	Locking	Adapter for lower seat heights
<input type="checkbox"/> Caster wheel track fixation (straight) Not with N° 2721, N° 2830	<input type="checkbox"/> Locking mechanism for track fixation Not with N° 2721, N° 2830	<input type="checkbox"/> Reduction of the seat height by 2.5 cm Not in combination with outdoor front end Not in combination with 24" wheels (see page 16)
N° 2851 156,- €/P	N° 2850 196,- €/P	N° 280540 120,- €/P

Frame options				
Anti-tipper	Outdoor Front End	Splash guard	Wheel base extension	Step tube
Swing-away installation Mounting <input type="checkbox"/> right <input type="checkbox"/> left <input type="checkbox"/> pair	<input type="checkbox"/> Outdoor Front End, adjustable in width and length, facilitates significantly active and passive driving on soft or rough surfaces, incl. mounting aid	<input type="checkbox"/> Splash guard for Outdoor Front End, made of plastic 	<input type="checkbox"/> Wheel base extension 9,5cm	Mounting <input type="checkbox"/> right <input type="checkbox"/> left <input type="checkbox"/> pair
N° 7215 115,- €/pcs	N° 599520 CPD 419,- €	N° 59951212 CPD 69,- €	N° 7676 210,- €	N° 7400 59,- €/pcs

Positioning aids Here you will find a small selection to mark. More positioning aids in separate order form in our download area.				
Separate order form	2-point pelvic belt	4-point pelvic belt	Head rests	
<p>PLEASE REGARD On the separate order form „Positioning aids“ you will find many different products for positioning, e.g.:</p> <ul style="list-style-type: none"> belts, fixations and corresponding connections, abduction wedges, side truss pads, head rests, and more...  <p>On the order form refer to this new wheelchair order/enquiry.</p>	<input type="checkbox"/> with plastic fastener 129,-€ <input type="checkbox"/> with metal fastener 149,-€ The size is determined by us according to the chosen wheelchair measurements.	<input type="checkbox"/> with plastic fastener 159,-€ <input type="checkbox"/> with metal fastener 189,-€ The size is determined by us according to the chosen wheelchair measurements.	Head rest with holder <input type="checkbox"/> Model 1, (...21) shell-shaped small <input type="checkbox"/> Modell 2, (...22) shell-shaped large <input type="checkbox"/> Modell 3, (...23) curved small <input type="checkbox"/> Modell 4, (...24) curved large <input type="checkbox"/> Modell 5, (...25) x-shaped small <input type="checkbox"/> Modell 6, (...26) x-shaped large	
	<input type="checkbox"/> Chest-shoulder belt without zipper	<input type="checkbox"/> protection cap for metal fastener Makes independent opening for the patient difficult.		
	N° 7810 189,- €	N° 780502 14,- €	N° 780504	N° 6860.. 275,- €

Abbreviations

piece - pcs
 pair - P
 net price - NP
 additional charge - AC
 lower leg length - LLL
 cf. - configuration

seat width - SW
 seat depth - SD
 back height - BH
 customized product discount - CPD

 To see the latest versions of our order forms, please visit www.sorgrollstuhltechnik.de/download-portal


Possible seat heights

Rear wheel	Seat height (without cushion)						
	41	43.5	46	48.5	50.5	53	55
20"	✓	✓	✓	✓	✓	✗	✗
22"	✗	!	✓	✓	✓	✓	✗
24"	✗	✗	!	✓	✓	✓	✓
possible caster wheel sizes	4"	4"-5,5"	4"-6"	4"-7"	5"-7"	6"-7"	7"
possible caster wheel sizes + Hemiadapter	5"	6"	7"				

- ✓ recommended, no conflict between arm rest and wheel cover
- ✓ combination possible = tilting angle up to 34°, with gas pressure spring back up to minimum 28°
- ! combination limited possible, not with seat depth 42-48, not in combination with gas pressure spring
- ✗ combination not possible

Lateral support			
Holder	Pad		Extensions
Holder adjustable, size 1, incl. linkage, without pad <input type="checkbox"/> left side (..01) <input type="checkbox"/> right side (..02) N° 685901.. CPD 188,- €/pcs	for truss pad size 1 Attention: Cushions for size 1 can only be mounted on truss pads size 1. 1 pcs. 2 pcs. <input type="checkbox"/> <input type="checkbox"/> 10x7cm (..04) <input type="checkbox"/> <input type="checkbox"/> 10x9 cm (..05)	for truss pad size 2 Attention: Cushions for size 2 can only be mounted on truss pads size 2. 1 pcs. 2 pcs. <input type="checkbox"/> <input type="checkbox"/> 15 x 10 cm (..04) <input type="checkbox"/> <input type="checkbox"/> 18 x 13 cm (..05)	Additional extension of joint for size 1 (3,8 cm) (..0103) 1 St. 2 St. <input type="checkbox"/> <input type="checkbox"/> for size 2 (5,5 cm) (..0203) 1 pos. 2 pos. <input type="checkbox"/> <input type="checkbox"/>
Holder adjustable, size 2, incl. linkage, without pad <input type="checkbox"/> left side (..01) <input type="checkbox"/> right side (..02) N° 685902.. CPD 188,- €/pcs	N° 685901.. CPD 50,- €/pcs	N° 685902.. CPD 50,- €/pcs	N° 6859.. CPD 60,- €/pcs

Therapy tables			
Mounting	Transparent	Beech wood (varnished)	Design
<input type="checkbox"/> Variation 1, N° 9204.. hinged sideways, adjustable in height and distance, Mounting <input type="checkbox"/> right <input type="checkbox"/> left <input type="checkbox"/> Variation 2, N° 9207.. adjustable in height and distance, plugged under arm rests on both sides Arm pads required!	<input type="checkbox"/> Size 1 45 x 36 cm N° ..10 310,- € <input type="checkbox"/> Size 2 59 x 45 cm N° ..11 330,- € <input type="checkbox"/> Size 3 70 x 50 cm N° ..12 350,- €	<input type="checkbox"/> Size 1, 50 x 40 cm N° ..13 335,- € <input type="checkbox"/> Size 2, 60 x 50 cm N° ..14 375,- €	<input type="checkbox"/> Number of design for acrylic glass therapy table according to wheelchairgadgets.com:
			N° 920099 CPD 89,- €

Transport brackets	
<p><i>Please tick appropriate box if number N° 58507105 was selected</i> (Without ticking an appropriate box, delivery will be without compatibility to additional systems):</p> <input type="checkbox"/> Outdoor-Front-End (restraint brackets at the front) <input type="checkbox"/> Additional electrical drive system (restraint brackets at the back) <input type="checkbox"/> Neither	<input type="checkbox"/> Transport brackets (4 pieces) for transportation in a handicapped accessible passenger car  N° 58507610 CPD 280,- €
<p><small>Restraint brackets must be replaced by a subsequent fitting of an Outdoor-Front-End or an electrical drive system to the wheelchair</small></p>	

Electric drives and systems			
Recommendations	AAT systems	Alber systems	Information
1. For all listed electric aids we recommend casters of 6" or higher 2. Please regard the respective mounting specifications given on the homepages indicated on the right	Loop RS is suitable for the following AAT systems: 1. <i>max-e</i> (electric drive) 2. <i>v-max</i> (pushing and braking aid) 3. <i>s-max</i> (stair aid) More information on www.aat-online.de	Loop RS is suitable for the following Alber systems: 1. <i>scalamobil</i> (stair aid) 2. <i>viamobil</i> (pushing and braking aid) 3. <i>viamobil eco</i> (pushing and braking aid) 4. <i>e-fix</i> (electric drive) 5. <i>e-motion</i> (power assisting driving aid) More information on www.alber.de	Restrictions or adjustments according to the build on the final setting of the wheelchair lies in the responsibility of the providers of the additional systems.



Abbreviations

piece - pcs	seat width - SW
pair - P	seat depth - SD
net price - NP	back height - BH
additional charge - AC	customized product discount - CPD
lower leg length - LLL	
cf. - configuration	

Terms and conditions

1. Preface and Scope

(1) Our terms and conditions apply exclusively. Any deviating, opposing, or complementing terms and conditions on the part of the business partner do not form integral part of contract unless explicitly approved of by us. There are no exceptions to the consent requirement, which also applies in cases where we conduct deliveries without restrictions while aware of the business partner's terms and conditions.

(2) Agreements made in the individual case with the purchaser (including side-agreements, supplements, and alterations) always take priority over these terms and conditions. A contract or our confirmation - both in written form - are authoritative for the content of such arrangements.

(3) Any legally relevant declarations and notifications the purchaser submits to us after conclusion of the contract (e.g. setting of deadlines, notice of defects, declarations of rescission or abatement) require the written form to be valid.

(4) Any information on the application of legal regulations serves the mere purpose of clarification. All regulations are legally binding without any such clarifications unless explicitly altered or excluded in these terms and conditions.

2. Prices

All prices are ex works, excluding insurance and packaging. The prices are net prices; the value-added tax is stated and charged separately according to the legally binding rate at the time of invoicing. The prices valid on the day of delivery are binding unless explicitly arranged otherwise.

3. Conclusion of Contract

SORG's offers are invitatio ad offerendum (invitations to treat). Ordering goods counts as an obligatory offer of contract on the part of the purchaser. Unless the order suggests otherwise, we have the right to accept this contract offer within two weeks time after reception. The acceptance of an offer of contract is effected by the confirmation of the order.

4. Terms of Payment

(1) Provided that no other agreements exist, payment is to be made by paying in advance - 50% at placing of order, 50% pre-delivery of goods. The purchaser bears any costs arising from transactions or discounting.

(2) If a 30-day payment deadline is exceeded, a delay rate of 9% on top of the respective base rate of the European Central Bank falls due without the need for prior notices. Beyond that, the purchaser is charged 3,- € for any reminder sent. We reserve the right to make use of the commercial due rate according to § 353 HGB. A higher damage for delay may be enforced via a suitable verification.

5. Offers and Validity

All current price lists are generally valid until December 31 of the respective year, or until new price lists are published. The latest version of the price list will always be provided on our homepage. Offers older than 3 months at that point expire and must be replaced with new offers and prices.

6. Time of Delivery and Delay

We state the terms of delivery when accepting the order. The delivery date is non-binding and has mere guideline value - especially with regard to customized products. The terms for delay in delivery are defined by legal regulations. In any case, a writing notice issued by the purchaser is necessary for them to take effect.

7. Force Majeure (Act of God)

(1) SORG is not to be held responsible for the following delays of delivery. This also applies if these causes occur with respect to legal representatives, auxiliary persons, or deliverers of SORG: Circumstances of force majeure as well as other extraordinary events that are unpredictable and unavoidable for, and not caused by, SORG, and that only occur after ordering or reserving, and that SORG could not have known about. Moreover, this applies in case of strikes, fire, floods, labour disputes, business disruptions, altered magisterial approbation and legal situation, and magisterial orders which are not due to operational risks.

(2) In the cases of paragraph 1, SORG is eligible to delay delivery/performance for the time of hindrance as well as an appropriate start-up time. If SORG thus causes unacceptable complications for the purchaser, both SORG and the purchaser are eligible to withdraw from the contract. Circumstances that only lead to a temporal and hence acceptable delay of delivery and performance are excluded from this right. The legal rights of the client remain unaffected.

8. Dispatch

We generally dispatch uncovered by insurance and at the recipient's risk. We transfer the risk of coincidental loss or deterioration of the goods as well as delay on to the client at the moment of passing the goods on to the forwarder, bearer, or any other person/institute responsible for delivery. SORG will make any effort to respect the client's wishes in terms of path and kind of delivery. Any costs caused by this (including agreed carriage free delivery) are to be covered by the client. In the case of carriage free delivery conducted by SORG, the recipient is required to put forward any carriage costs for a refund. If the client wishes the dispatch to be delayed, any risk of loss or deterioration of the goods is carried by the recipient from the first day of readiness for dispatch. The goods dispatched are only insured upon special demand and at the cost of the recipient.

9. Damage through Delivery/Angelieferte Gegenstände sind, auch wenn sie unwesentliche Mängel
Upon delivery, the goods need to be checked for obvious damage in the presence of the bearer. Any damage is to be documented in a written form and co-signed by the bearer. This protocol is to be forwarded to us immediately. Delayed reclamations, or reclamations not signed by the bearer, cannot be taken into account.

10. Warranted Features, Receipt, and Technical Alterations

Delivered objects, even with minor damage, are to be accepted by the client, even if §433, paragraph 1 BGB is not fulfilled. Partial deliveries are permissible. Features only count as warranted if explicitly designated as such. A warranty of condition can only be asserted explicitly and in a written form. SORG reserves the right for technical alterations, especially for solutions of equal or higher value.

11. Warranty for Defects

(1) SORG warrants for any defects of delivered new goods for 12 months as long as the purchaser is not the user (§§ 474, 13 BGB). Should the purchaser be the user then the warranty period is two years for new goods, for used goods 12 months. Should the purchaser also be an entrepreneur, then the liability for used items is void, as long as there is no claim for compensation according to N° 12.

(2) The purchaser's claim for defects presuppose that he has attended his obligation to give notice of defects on the legal grounds for his reasons of inquiry (§§ 377, 381 HGB). If defects are found during the inspection or at a later point, we are to be notified in writing without delay. The notice counts as not delayed if issued within two weeks. Posting the notice on time suffices for the keeping of the term. Independently from this obligation to inspect and give notice, the purchaser

is to report obvious defects (including wrong and short delivery) within two weeks upon delivery (again, posting the notice on time suffices). If the purchaser misses the proper inspection and/or notice of defects, we do not warrant for the reported defects. If the delivered good is defective, we may choose to conduct supplementary performance either by repairing the defect (subsequent improvement) or by delivering flawless goods (compensation delivery). Our right to refuse the chosen method of supplementary performance on the respective legal grounds remains untouched.

(3) Our liability for defects expires when alteration or maintenance works are done by the client or a third-person-party without our prior written permission. Consequences of excessive strain, negligent or incorrect handling, and violent damage are excluded from the warranty for defects.

12. Further Liability

(1) With respect to compensation - regardless of the legal cause - SORG is only liable in case of malice and act of gross negligence. In case of slight negligence, SORG is only liable for damage of life, body, health, and for damage caused by the negligence of an essential contractual obligation (an obligation whose fulfillment make the proper realisation of the contract possible in the first place and in whose fulfillment the contract partner regularly trusts and can trust). In this case, however, our liability does not exceed the covering of predictable, typically occurring damage.

(2) A free right to termination on the part of the purchaser (acc. to § 651, 649 BGB in particular) is precluded. Otherwise, the usual prerequisites and legal consequences apply.

13. Costs of Supplementary Performance

Costs of supplementary performance cannot be charged on SORG's account.

14. Voluntary Withdrawal of Goods

SORG is not obliged to take back any delivered end products or parts thereof. If SORG voluntarily decides otherwise in individual cases (especially for therapeutically altered requirements or deaths), SORG refunds a maximum of 75% of the delivery costs for unused parts whose delivery does not date back more than three months. There is no legal obligation concerning withdrawal in this respect. Deliveries which date back more than three months as well as sewed parts and customized products are not returnable. A copy of the delivery note or the bill serves as proof of age of delivery.

15. Reservation of Ownership

Goods delivered by SORG remain the property of SORG until any obligations from the parties' business contract on the part of the purchaser have been redeemed. This also applies if SORG has adapted individual or all claims into a running account which has been balanced and acknowledged. The purchaser has the right to dispose of the goods in the proper course of business. The purchaser hereby yields all claims to SORG which arise from the resale against the purchaser or third parties. The purchaser is authorised to withdraw these claims even upon conveyance. SORG's right to withdraw the claims remains untouched. However, SORG is obliged not to withdraw the claims as long as the purchaser complies with his duty of payment and any other duties. SORG has the right to demand that the purchaser makes known the yielded claims and their debtors, that he provides all information necessary for conveyance, and that he hands in all associated documents. As long and insofar the reservation of ownership is intact, the purchaser must not transfer any goods for securing or bailment without SORG's permission. The purchaser may process or alter the goods for the benefit of SORG exclusively. If processed with other goods which do not belong to SORG, SORG obtains co-ownership of these new goods in relation to the invoice value to the cost price of the other processed goods. If a third party interferes with SORG's ownership, the purchaser is to notify SORG immediately. The purchaser must not make any agreements with other purchasers which may exclude or limit SORG's rights. In particular, the purchaser must not make any agreements which destroy or limit the advance assignments to SORG. If the estimated value of the existing guarantees exceeds the claims to be ensured by more than 20%, SORG is insofar obliged to release by request of the purchaser.

16. Copyright Protection

If SORG conveys any images, drawings, indications of weight or measurements, technical documentations, or other product descriptions and documents (including electronic ones), the respective indications only apply if explicitly stated that they do. SORG reserves ownership and copyright of all these documents. They may only be made available to third parties upon SORG's explicit permission.

17. Place of Fulfilment, Place of Jurisdiction, and Severability Clause

(1) The law of the Federal Republic of Germany applies for these Terms and Conditions and all legal relations between us and our business partners. All international and supranational (contractual) legal systems, the UN Convention on Contracts for the International Sale of Goods in particular, are hereby excluded. Prerequisites and effects of the reservation of ownership acc. to no. 15 are subject to the right of the respective storage location of the good if the choice of law made in favour of the German law is illegitimate or ineffective. The only place of jurisdiction (also on an international basis) for any disputes arising directly or indirectly from the contractual relationship is, according to German Commercial Code, our office in Oberhausen-Rheinhausen, Germany. However, we also have the right to file a suit concerning the general jurisdiction of the purchaser.

(2) If any clause in these Terms of Conditions should turn out to be ineffective, this does not affect the effectiveness of all other clauses.

Technical alterations and misprints reserved. As of: January 2017

SORG Rollstuhltechnik GmbH + Co. KG
Benzstr. 3-5, 68794 Oberhausen-Rheinhausen / Germany
Phone +49 7254 / 9279-0
Fax +49 7254 / 9279-10
info@sorgrollstuhltechnik.de, www.sorgrollstuhltechnik.de